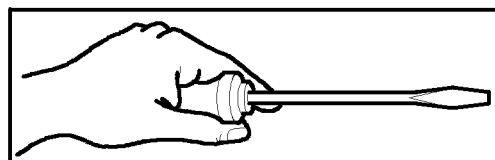
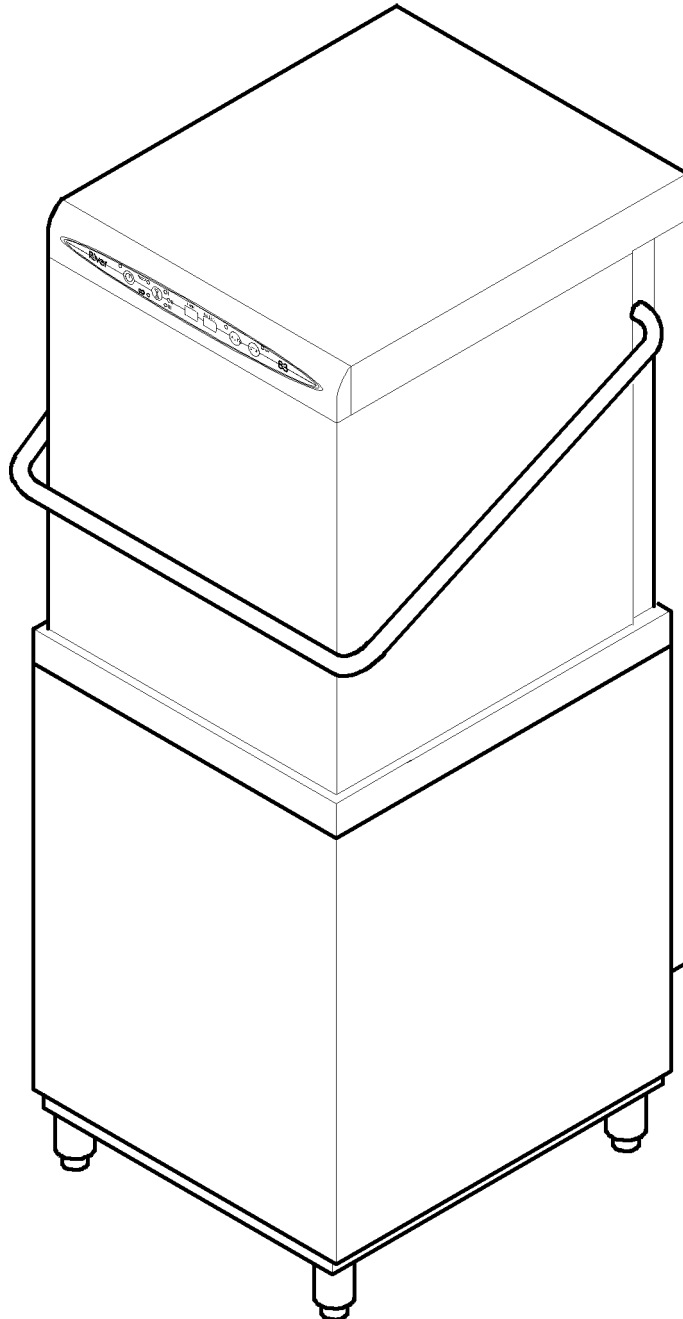


# River

## 81/82

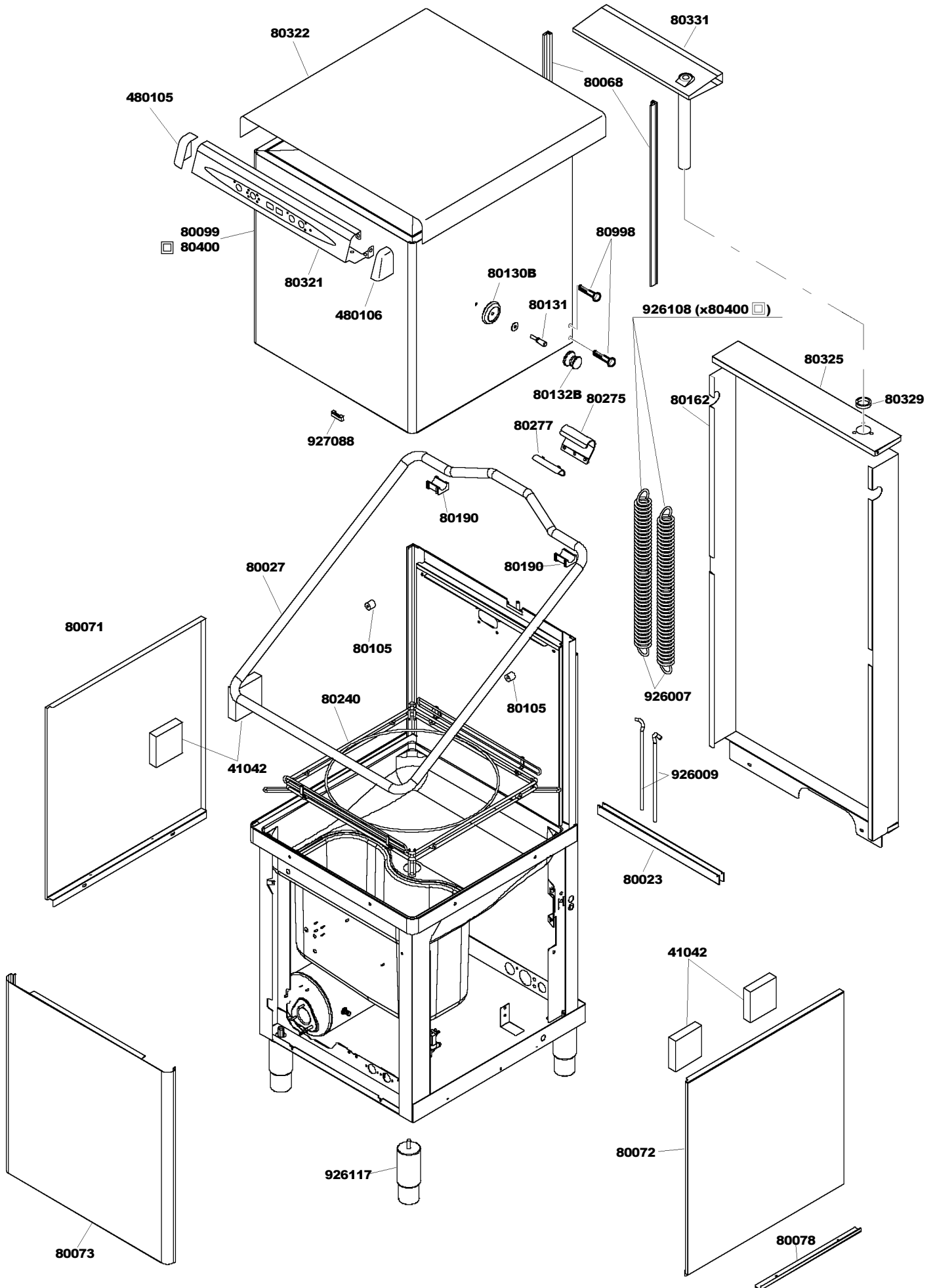
C	R	P
O	I	E
N	N	R
S	S	F
T	E	O
A		R
N		M
T		A
		N
		C
		E



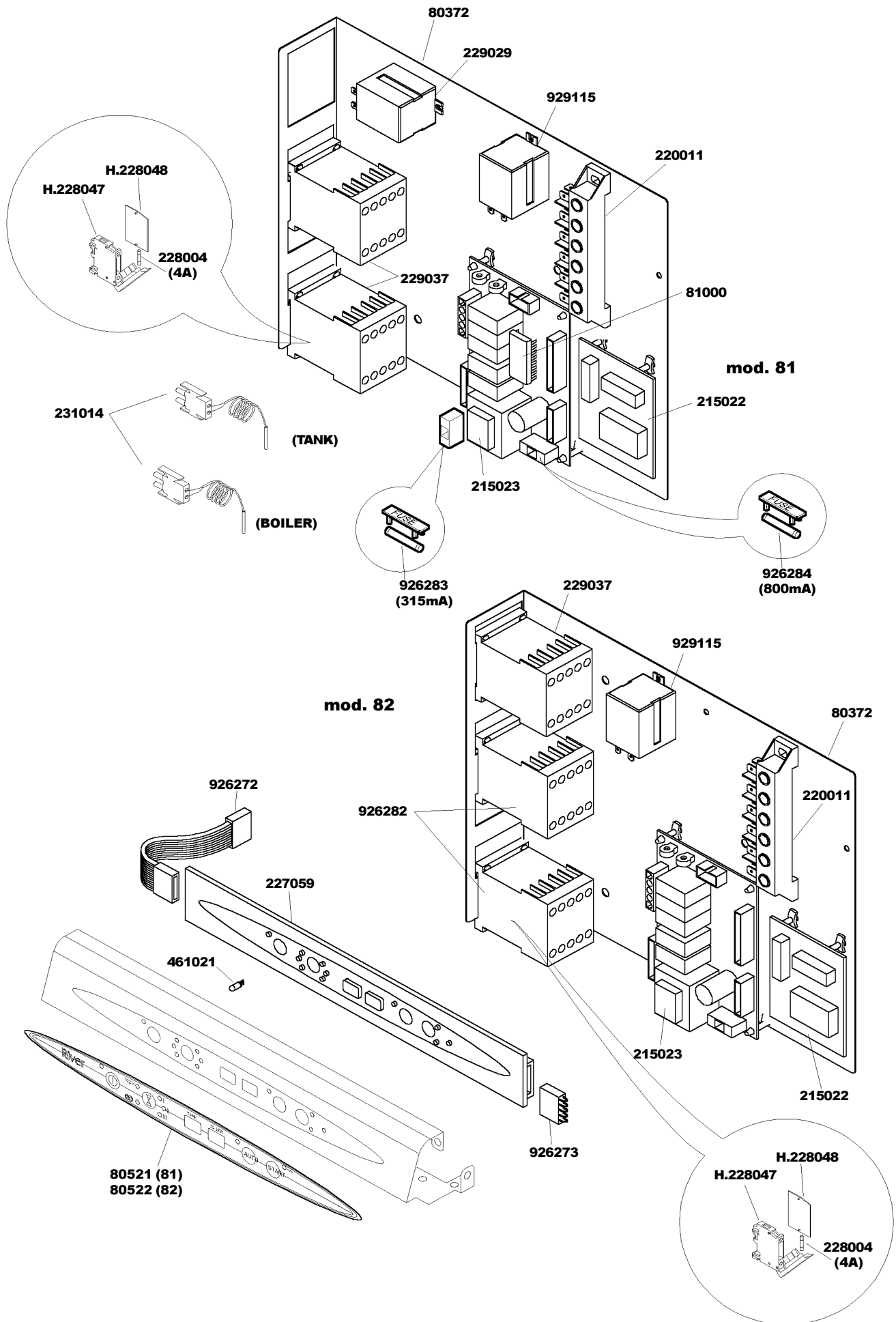
# RIVER 81/82

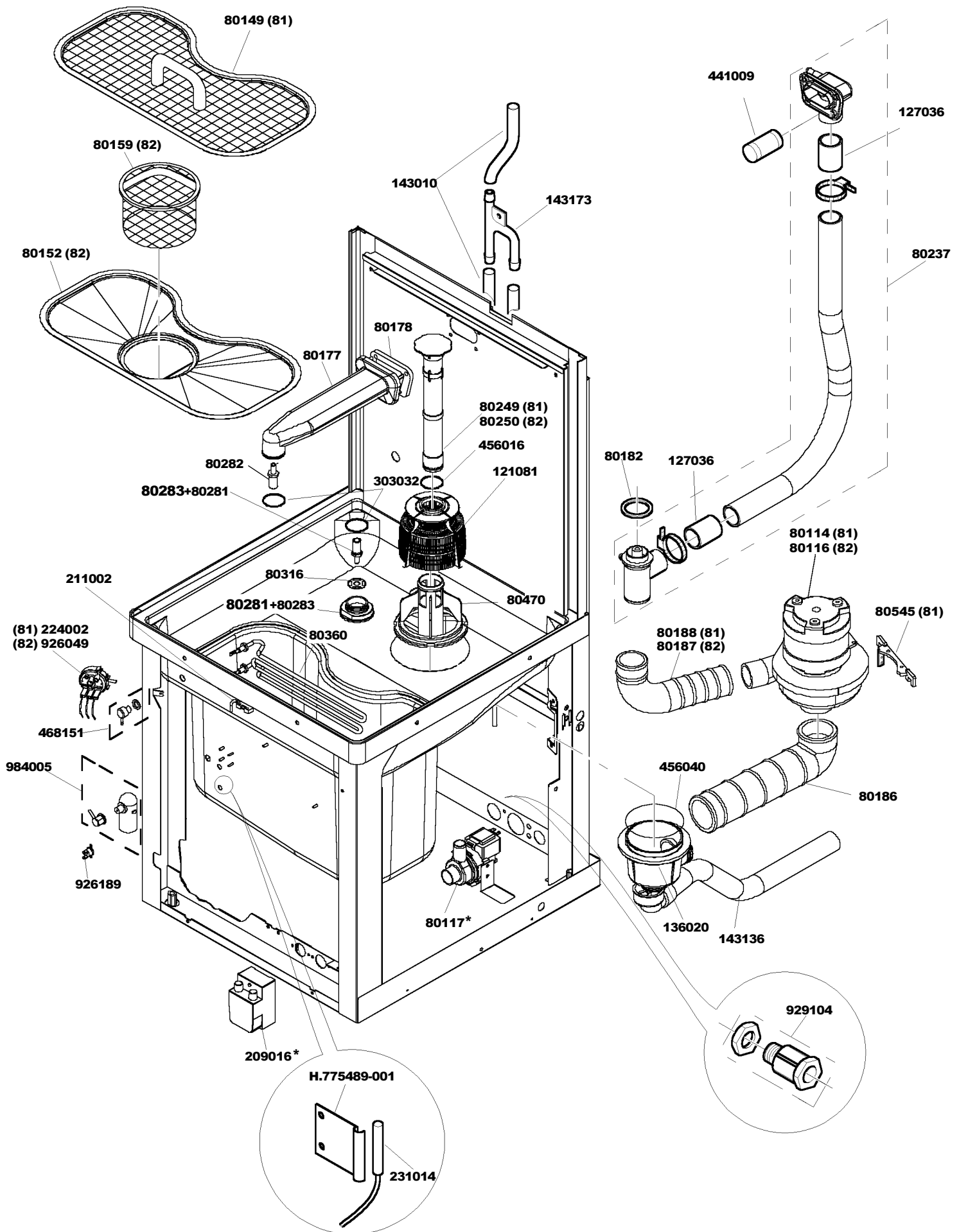
Tav. 1 – Machine Body  
Tav. 2 – Electrical components  
Tav. 3 – Components in the tank  
Tav. 3A – Components in the tank  
Tav. 4 – Wash arms – Rinsing  
Tav. 5 – Wash pump  
Tav. 6 – Wash pump  
Tav. 7 – Rinse pump

Tab. 1 – Carrosserie  
Tab. 2 – Installation électrique  
Tab. 3 – Composants de cuve  
Tab. 3A – Composants de cuve  
Tab. 4 – Rampes de lavage Rinçage  
Tab. 5 – Pompe lavage  
Tab. 6 – Pompe lavage  
Tab. 7 – Pompe Rinçage

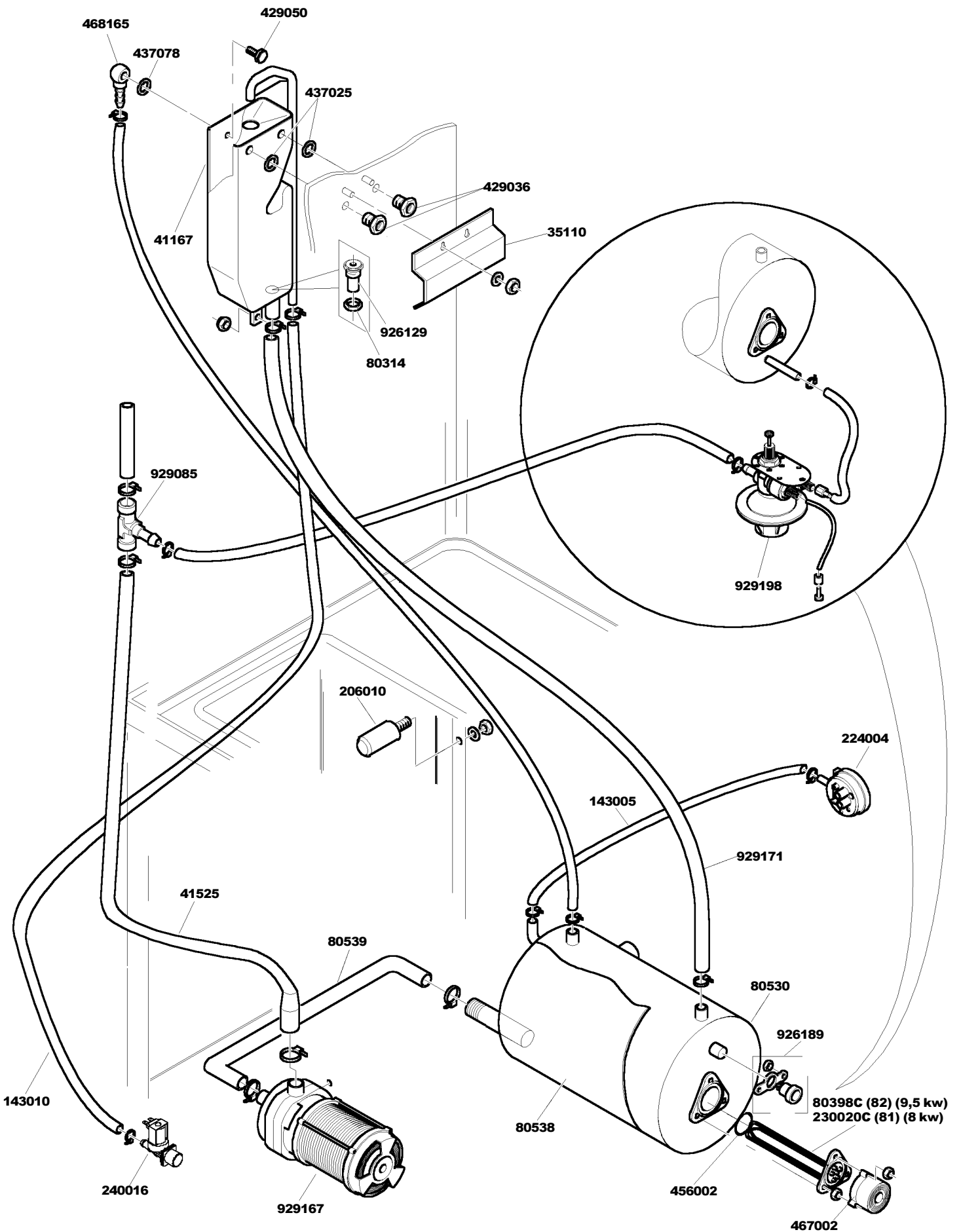


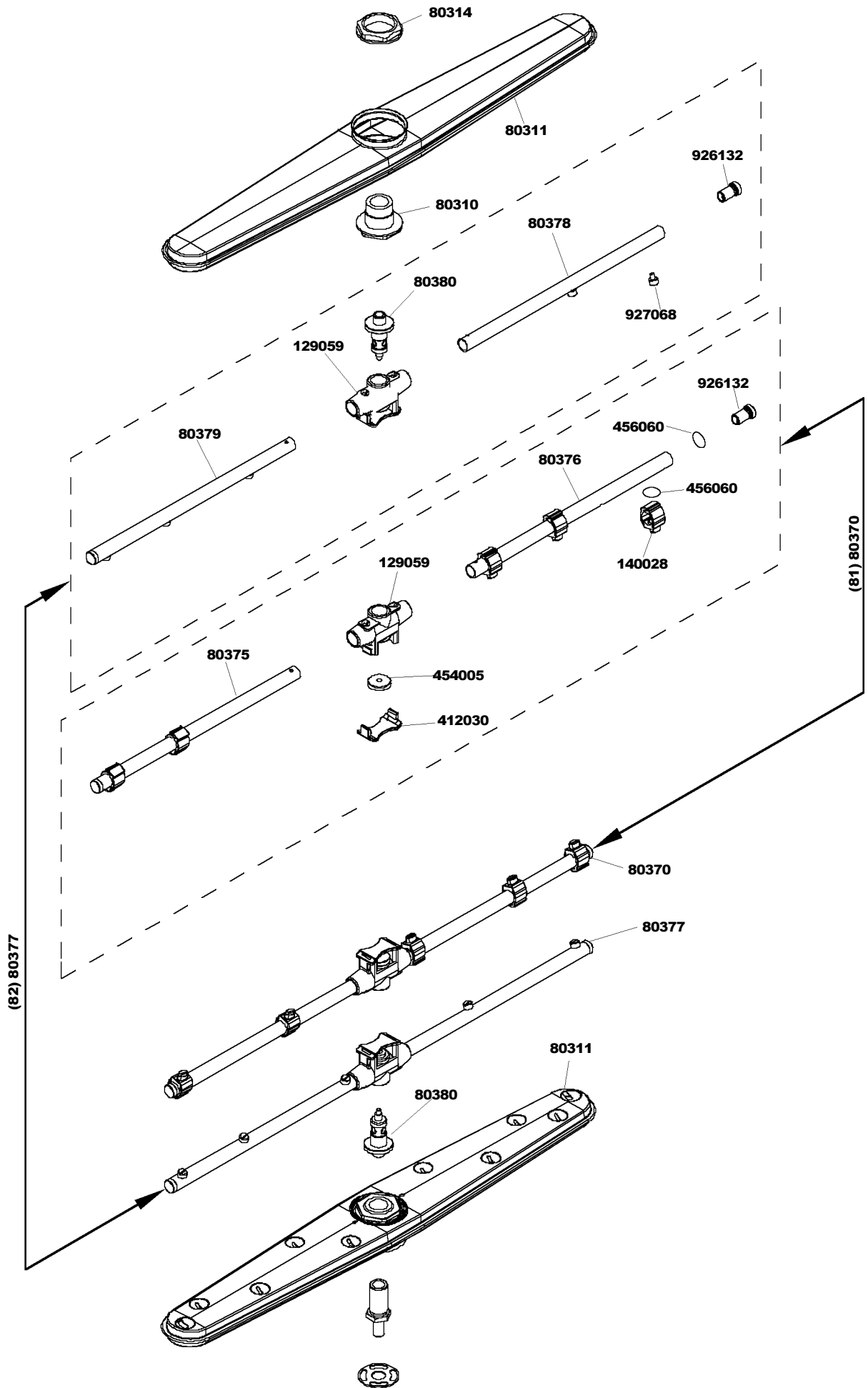
□ ( Coibentazione; Insulation)

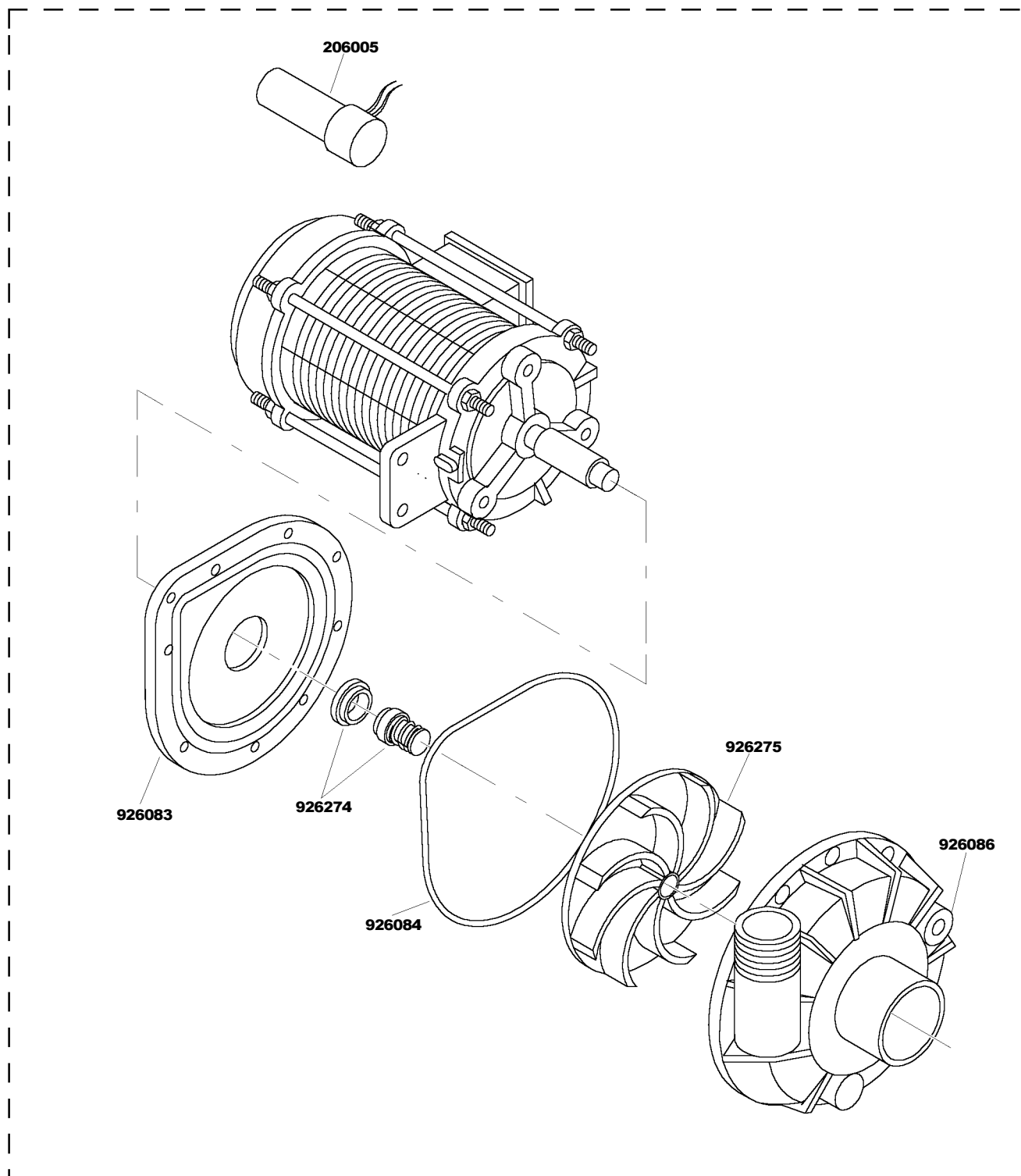




(\*) Optional

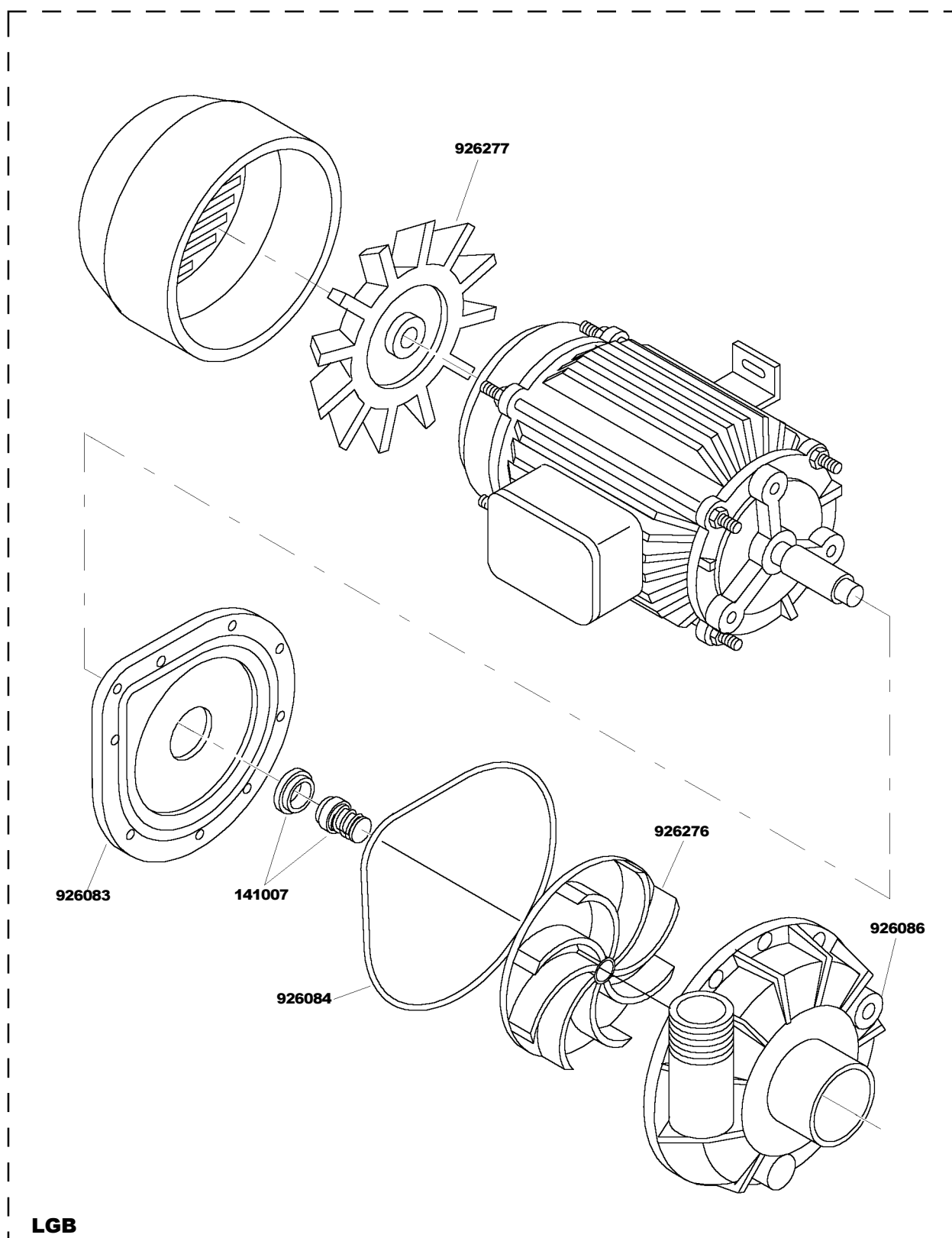






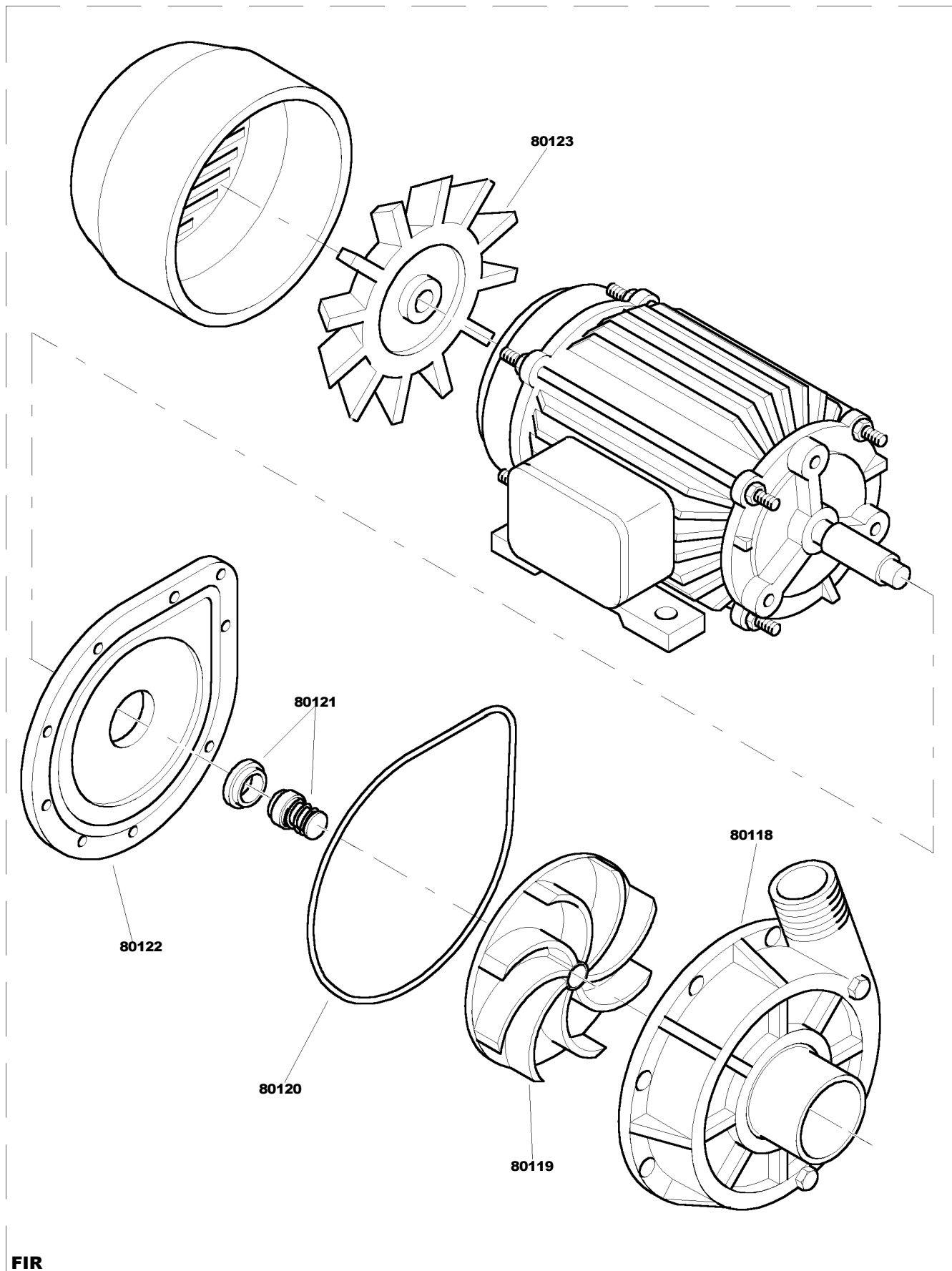
80114 (ZF522)  
81





LGB

80116 (AM5225)  
82



FIR

80115 (5295.4050)  
82

